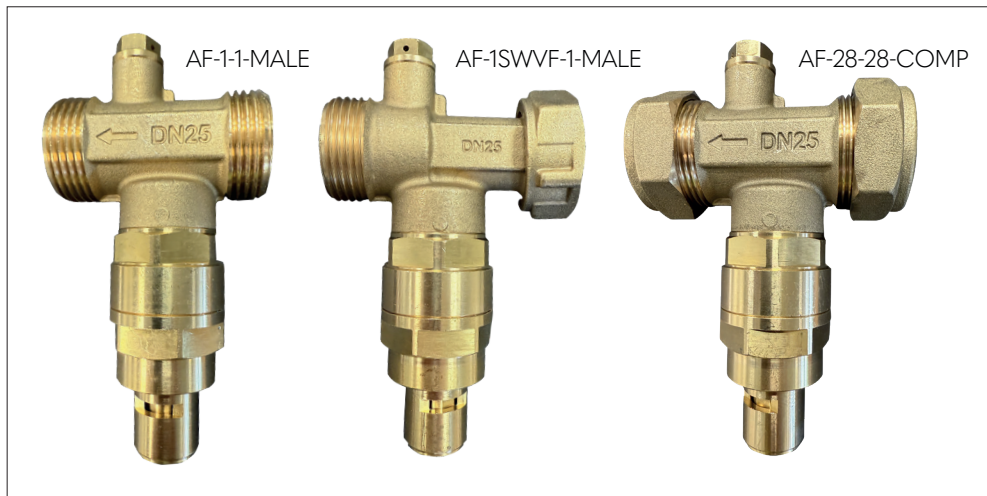




ANTIFREEZE VALVES

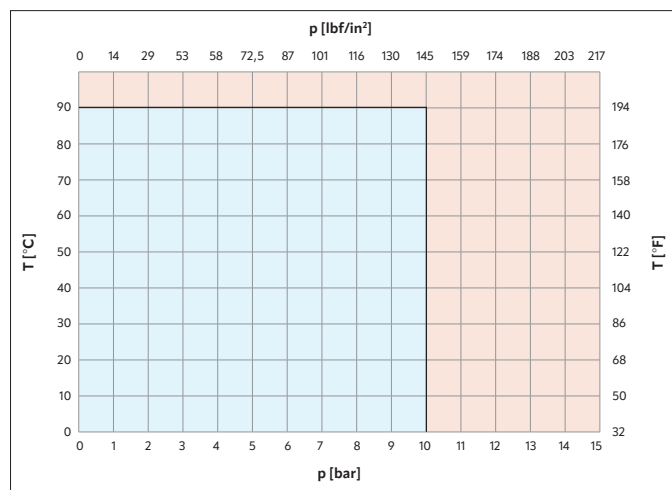


Antifreeze valves are used to prevent the formation of ice in the circuit of a system, avoiding possible damage to the machine and pipes. The antifreeze valve allows the fluid to be discharged from the circuit when its temperature reaches an average value of 3 °C.

FEATURES

- Operating temperature: 0 ÷ 90°C
- Nominal Pressure: PN 10
- Fluid temperature (opening): 3°C
- Fluid temperature (closing): 4 °C
- Made of brass alloy compliant with EN 12165-CW617N-DW standard.
- 100% tested according to EN 12266-1.
- Made in compliance with the management requirements of the EN ISO 9001 standard.

PRESSURE DIAGRAM



1 BAR = 14.5 PSI 1 BAR = 14.5 LBF/IN² °C = 5/9 X (°F-32) °F = 32 + (9/5 X °C)

PRODUCTS

Part code	Description	Information
AF-1-1-MALE	ANTIFREEZE VALVE	1" X 1" BSP MALE FITTING
AF-1SWVF-1-MALE	ANTIFREEZE VALVE WITH SWIVEL NUT	1" SWIVEL FLAT-FACE FEMALE X 1" BSP MALE FITTING
AF-28-COMP	DOUBLE-CONE ANTIFREEZE VALVE	28 X 28 COMPRESSION FITTING

VALVES ANTIFREEZE

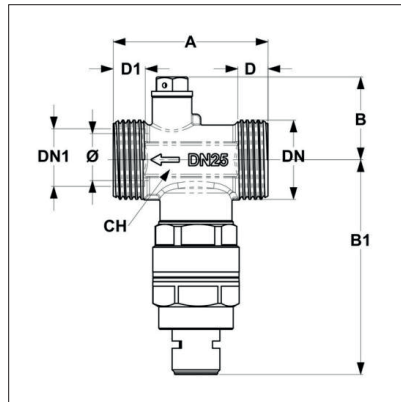
The DiversiTech International sales team are available to answer your questions or queries on this product. Our experts are waiting for your call +44 (0)115 900 5858 or if you prefer send an email to sales@diversitech.com or visit www.diversitech.global



Glaisdale Drive East
Nottingham NG8 4LY
United Kingdom

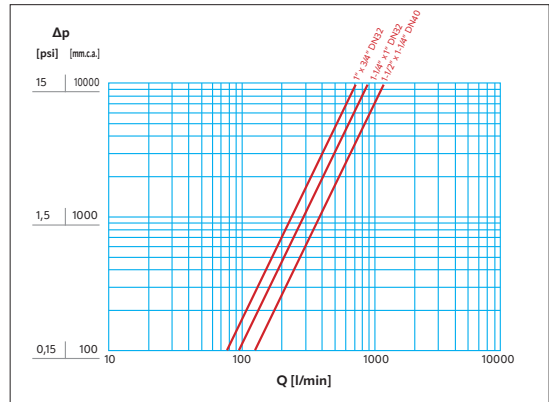


AF-1-1-MALE ANTIFREEZE VALVE



THREAD ISO 228

DNxDN1	1" x 3/4"	1" 1/4 x 1"	1" 1/2 x 1" 1/4
Ø mm	19	23	31
GRMS.	475	520	525
TO	64.5	64.5	64.5
B	34.5	38	42
B1	92	95.5	99.5
D	13	13	13
D1	12	12.5	12.5
CH	30	36	44



PRESSURE LOSS DIAGRAM

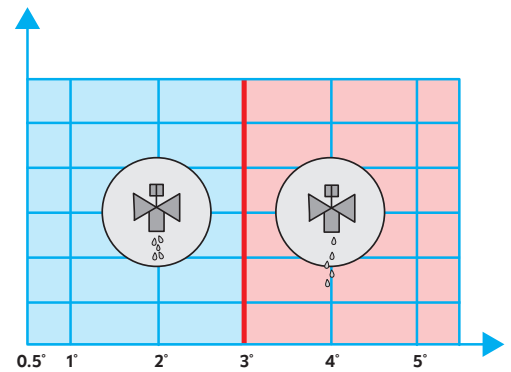
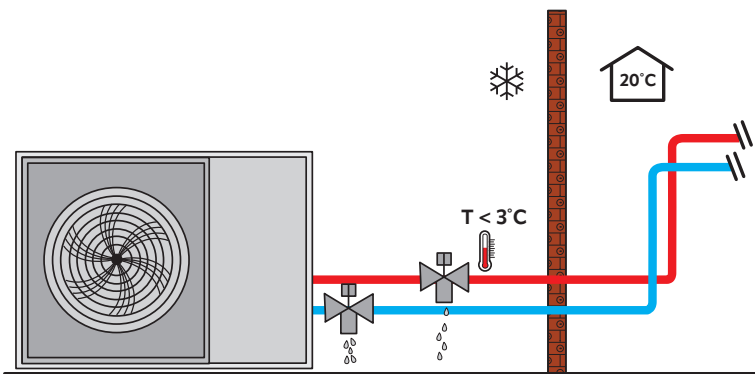
1 L/MIN = 0.06 M3/H 1 M3/H = 16.67 L/MIN 1 BAR = 10,000 MM WG 1 PSI = 690 MM WG

Pursuant to Article 33 of the REACH Regulation, we inform you that the components made of bronze and brass alloys present in the products supplied by us contain lead as an alloying element in quantities exceeding the threshold of 0.1% by weight. Lead has been included in the candidate list of SVHC substances for the authorisation process, in the update published by the European Chemicals Agency ECHA on 24 June 2018.

The lead was inserted with the following information:

Substance: Lead / CAS:7439-92-1 / EC:231-100-4 / List:SVHC

Date of inclusion: 27 June 2018 Since lead is present as an alloying element, no exposure is expected, therefore no further information is necessary regarding the safe use of the product. The list is available at the following link: <https://echa.europa.eu/it/candidate-list-table> and since it is a continuously updated list, we declare the constant monitoring of the possible inclusion of new substances in the list and the timely information to our customers in the event that such substances are contained in the products supplied by us.



DNxDN1	1" x 3/4"	1" 1/4 x 1"	1" 1/2 x 1" 1/4
KV	55	66	90
Q3	0.3	0.3	0.3
Q0.5	3	3	3

KV = FLOW RATE IN M³/H AT A PRESSURE LOSS OF 1 BAR
Q3 = DISCHARGE FLOW RATE IN L/H AT 3°C WITH 3 BAR PRESSURE

Q0.5 = DISCHARGE FLOW RATE IN L/H AT 0.5°C WITH A PRESSURE OF 3 BAR

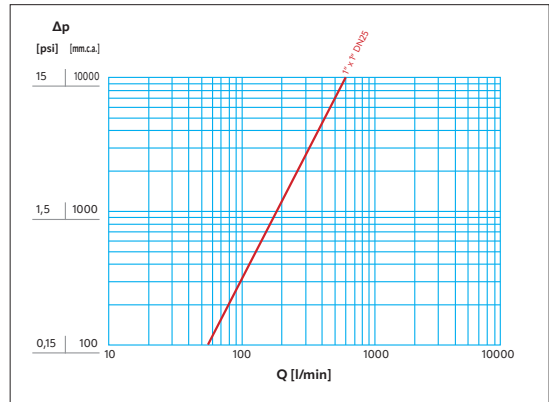
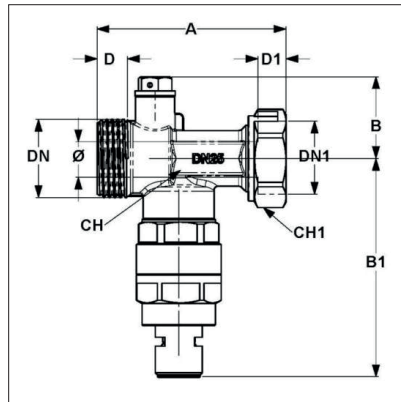
VALVES ANTIFREEZE

The DiversiTech International sales team are available to answer your questions or queries on this product. Our experts are waiting for your call +44 (0)115 900 5858 or if you prefer send an email to sales@diversitech.com or visit www.diversitech.global



Glaisdale Drive East
Nottingham NG8 4LY
United Kingdom

AF-1SWVF-1-MALE ANTIFREEZE VALVE WITH SWIVEL NUT



THREAD ISO 228

DNxDN1	1" x 3/4"
Ø mm	16
GRMS.	525
TO	80
B	34.5
B1	92.5
D	12.5
D1	10
CH	37

PRESSURE LOSS DIAGRAM

1 L/MIN = 0.06 M³/H 1 M³/H = 16.67 L/MIN 1 BAR = 10,000 MM WG 1 PSI = 690 MM WG

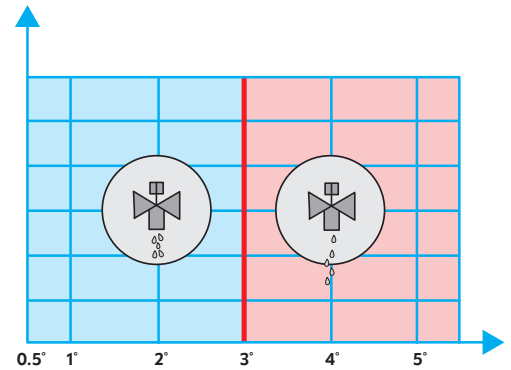
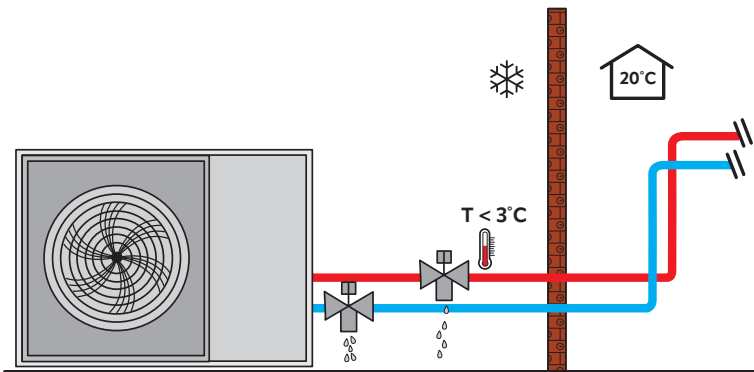
Pursuant to Article 33 of the REACH Regulation, we inform you that the components made of bronze and brass alloys present in the products supplied by us contain lead as an alloying element in quantities exceeding the threshold of 0.1% by weight.

Lead has been included in the candidate list of SVHC substances for the authorisation process, in the update published by the European Chemicals Agency ECHA on 24 June 2018.

The lead was inserted with the following information:

Substance: Lead / CAS:7439-92-1 / EC:231-100-4 / List:SVHC

Date of inclusion: 27 June 2018 Since lead is present as an alloying element, no exposure is expected, therefore no further information is necessary regarding the safe use of the product. The list is available at the following link: <https://echa.europa.eu/it/candidate-list-table> and since it is a continuously updated list, we declare the constant monitoring of the possible inclusion of new substances in the list and the timely information to our customers in the event that such substances are contained in the products supplied by us.



DNxDN1	1" x 3/4"
KV	32
Q3	0.3
Q0.5	3

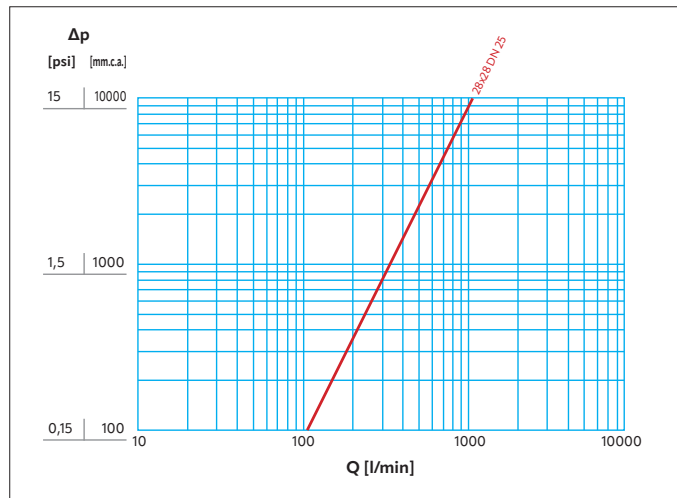
KV = FLOW RATE IN M³/H AT A PRESSURE LOSS OF 1 BAR
Q3 = DISCHARGE FLOW RATE IN L/H AT 3°C WITH 3 BAR PRESSURE

Q0.5 = DISCHARGE FLOW RATE IN L/H AT 0.5°C WITH A PRESSURE OF 3 BAR

VALVES ANTIFREEZE

The DiversiTech International sales team are available to answer your questions or queries on this product. Our experts are waiting for your call +44 (0)115 900 5858 or if you prefer send an email to sales@diversitech.com or visit www.diversitech.global

AF-28-COMP DOUBLE CONE ANTIFREEZE VALVE



THREAD ISO 228

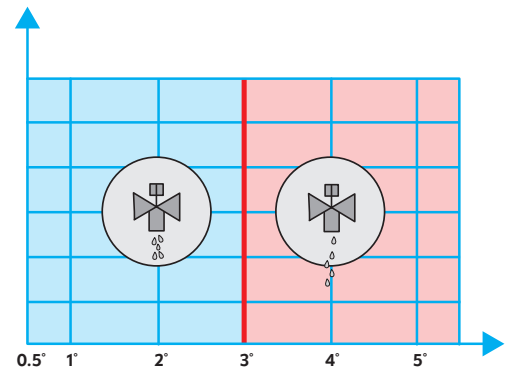
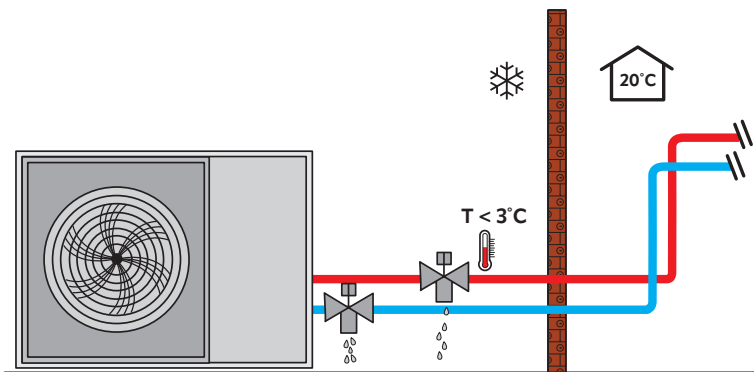
Pursuant to Article 33 of the REACH Regulation, we inform you that the components made of bronze and brass alloys present in the products supplied by us contain lead as an alloying element in quantities exceeding the threshold of 0.1% by weight.

Lead has been included in the candidate list of SVHC substances for the authorisation process, in the update published by the European Chemicals Agency ECHA on 24 June 2018.

The lead was inserted with the following information:

Substance: Lead / CAS:7439-92-1 / EC:231-100-4 / List:SVHC

Date of inclusion: 27 June 2018 Since lead is present as an alloying element, no exposure is expected, therefore no further information is necessary regarding the safe use of the product. The list is available at the following link: <https://echa.europa.eu/it/candidate-list-table> and since it is a continuously updated list, we declare the constant monitoring of the possible inclusion of new substances in the list and the timely information to our customers in the event that such substances are contained in the products supplied by us.



DNxDN1	28x28
Ø mm	21
KV	64
Q3	0.3
Q0.5	3

KV = FLOW RATE IN M³/H AT A PRESSURE LOSS OF 1 BAR

Q3 = DISCHARGE FLOW RATE IN L/H AT 3°C WITH 3 BAR PRESSURE

Q0.5 = DISCHARGE FLOW RATE IN L/H AT 0.5°C WITH A PRESSURE OF 3 BAR