

BALL VALVE

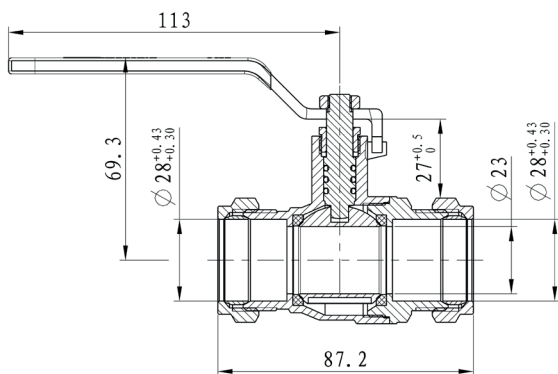
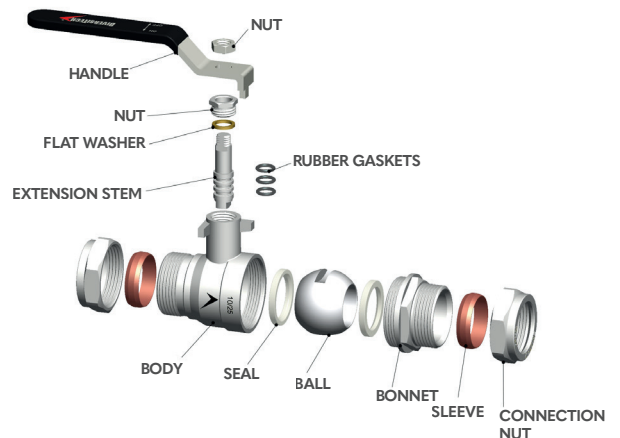
Full bore long-stem 28mm compression ball valve with nickel-plated brass valve body and red handle to be used in water applications



DESIGNED BY DIVERSITECH FOR AIR SOURCE HEAT PUMP INSTALLS

SPECIFICATIONS / FEATURES

- Connection: Compression
- Material: Nickel-plated brass
- Working temperature: -10°C to 85°C
- Pressure range: 16 bar at 30° C, 10 bar at 65° C and 8 bar at 85° C
- Size: 28mm
- Type: Full bore ball valve
- Compression complies with BS EN1254-2
- Pressure test under 0.6-0.8 MPa without any leakage
- Suitable for hot and cold water
- Working pressure: 1.6 MPa
- Long stemmed for use with ASHP insulation 19mm - 25mm thick



Part code	No of poles	Length	Handle	Middle bore to handle
BV-28-28-COMP-AGSTEM	Full bore long-stem 28mm compression ball valve	87.2mm	113mm	69.3mm

VALVES BALL VALVE

The DiversiTech sales team are available to answer your questions or queries on this product. Our experts are waiting for your call +44 (0)115 900 5858 or if you prefer send an email to sales@diversitech.com or visit www.diversitech.global