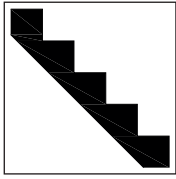


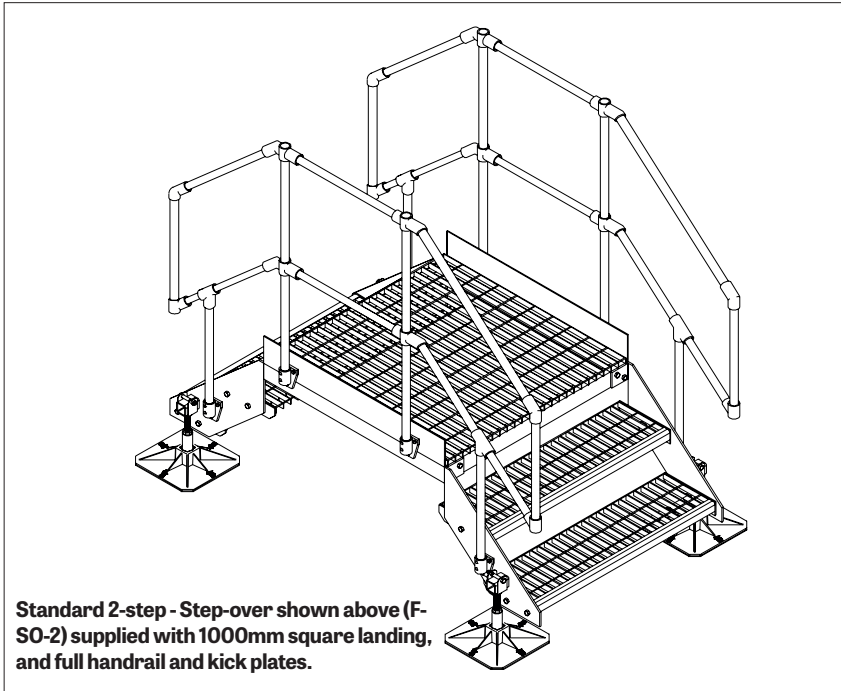


ACCESS



## FLEXI STEP-OVER AND HOP-OVER

SAFE ACCESS SOLUTIONS DESIGNED AND MANUFACTURED TO CURRENT BRITISH STANDARDS

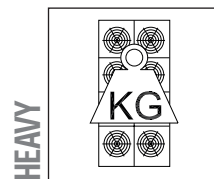
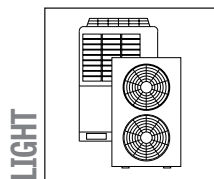
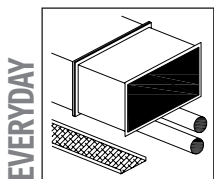


Standard 2-step - Step-over shown above (F-SO-2) supplied with 1000mm square landing, and full handrail and kick plates.



## FEATURES & BENEFITS

- Non-penetrative access solutions
- Site survey carried out by us
- Auto-CAD drawings forwarded for approval prior to manufacturing start
- Supplied flat packed in kit form for easy handling
- Complies with current British Standards
- Safeguards the workforce from rooftop falls
- Protection to the building owner/ end user with regards to The Work at Height Regulations 2005



### FLEXI-ACCESS Flexi Step-Over and Hop-Over

The DiversiTech International sales team are available to answer your questions or queries on this product. Our experts are waiting for your call +44 (0)115 900 5858 or if you prefer send an email to [sales@flexisupportsystems.co.uk](mailto:sales@flexisupportsystems.co.uk) or visit [www.flexisupportsystems.co.uk](http://www.flexisupportsystems.co.uk)





## FLEXI STEP-OVER AND HOP-OVER

With the introduction of the Work at Height Regulations back in 2005, the regulations apply to all work carried out at a height where there is a risk of a fall liable to cause personal injury. This regulation places duty on employers, the self employed, and any person that controls the work of others. e.g. facility managers, building owners/end users etc. Flexi Access solutions are designed to current British Standards - we offer full working drawings, site surveys, and all our access range is manufactured in the UK. GRP and aluminium solutions are also available upon request. Whether it's a cat ladder, companion way ladder, stairs, ramps, walkways or a combination of all these, Flexi Access will provide you and your workforce with a safe access solution.

### Typical Hop-Over – Ideal to bridge over low level pipe work and cable trays



Part Code - F-HO-1000 Hop-Over shown with optional handrails F-HO-HR sold separately.



Part Code - F-HO-600 Hop-Over shown with optional handrails F-HO-HR sold separately.



Part Code - F-HO-1000-1 Hop-Over with one step shown with optional handrails F-HO-HR-1 sold separately.

## APPLICATION

- Step overs to bridge over ducts, pipes and electrical containment; custom solutions to access maintenance doors to AHU's, chillers or other rooftop services, ramped access solutions where wheelbarrow/sack barrows are used and straight forward elevated access solutions. Cat ladders and companion way ladders also available.

## WHAT OUR SERVICE OFFERS YOU

- Quotations on request
- Full Auto-CAD drawing support
- Site support and site surveys
- Load management calculations
- Over 25 years experience in flat roof design, and providing support systems to building services
- Fast delivery
- Experienced in-house technical staff

## MATERIAL SPECIFICATION

- Foot - 320mm square UV stabilised 100% polypropylene
- Mat - 100% natural rubber (mat is adhered to the foot)
- Legs - Step-Overs 48mm dia. 3mm steel tube with M24 stud adjuster. Hop-Overs 40 x 40 x 2mm SHS
- Handrails - Step-Overs & Hop-Overs 33.7mm diameter mild steel
- Treads/Flooring - 25 x 3mm open grid flooring. (41/100 bearing bars) and designed to 7.5kN/m<sup>2</sup> loading BS:4592 part 1
- Finish - Hot dip galvanised steelwork BS EN 10219-1:2006.
- Galvanising: BS EN ISO 1461:2009. Salt mist testing: BS EN 60068-2-52

Code	Description	Tread QTY	Landing size mm	Clearance height mm	Weight kg	Foot size mm
F-SO-2	Flexi Step Over 2 up / 2 down	2 up / 2 down	1000 x 1000	560	175	320 x 320
F-SO-3	Flexi Step Over 3 up / 3 down	3 up / 3 down	1000 x 1000	780	204	320 x 320
F-SO-4	Flexi Step Over 4 up / 4 down	4 up / 4 down	1000 x 1000	1000	233	320 x 320
F-HO-600	Flexi Hop Over - 600mm	-	1000 x 600	180	22	320 x 320
F-HO-1000	Flexi Hop Over - 1000mm	-	1000 x 1000	180	34	320 x 320
F-HO-HR	Flexi hand rail for Hop Over (1100mm high)	-	-	-	10	-
F-HO-HR-1	Flexi hand rail for Hop Over+ (1100mm high)	-	-	-	10	-
F-HO-600-1	Flexi Hop Over+	1 up / 1 down	1000 x 600	410	46	320 x 320
F-HO-1000-1	Flexi Hop Over+	1 up / 1 down	1000 x 1000	410	58	320 x 320

### Specification Extract

Standard/Custom Access to be supplied by DiversiTech fully adjustable and hot dipped galvanised solutions and supported on 320mm square UV stabilised Flexi feet. Tel: +44(0)115900 5858

**FLEXI-ACCESS**  
Flexi Step-Over and Hop-Over

The DiversiTech International sales team are available to answer your questions or queries on this product. Our experts are waiting for your call +44 (0)115 900 5858 or if you prefer send an email to [sales@flexisupportsystems.co.uk](mailto:sales@flexisupportsystems.co.uk) or visit [www.flexisupportsystems.co.uk](http://www.flexisupportsystems.co.uk)

**DIVERSITECH**<sup>®</sup>  
INTERNATIONAL