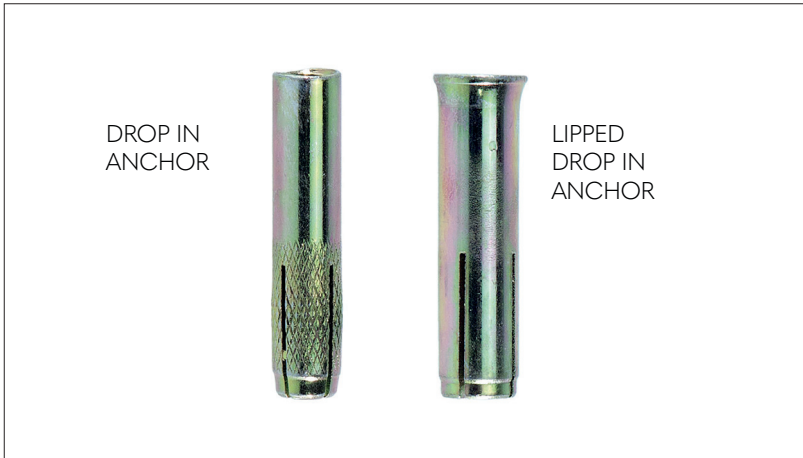




DROP IN ANCHOR BOLTS - ZINC PLATED



Deformation controlled zinc plated and yellow passivated Drop In anchor is an internally threaded socket suitable for applications in non-cracked concrete. Full expansion can be guaranteed by using the correct shouldered setting punch. Internal thread suitable for bolts or threaded studs of any length. Lipped Drop In anchors can be accurately set independent of the hole depth and can be used in concrete.

FEATURES

- Deformation-controlled expansion
- Fast and secure installation
- Reaction to fire Class A1
- Permanent socket to allow removal and replacement of fixture
- Zinc plated and yellow passivated minimum 5µm

BASE MATERIAL

- Concrete C20/25 to C50/60
- Non-cracked concrete
- Dry internal conditions

RANGE AND LOAD DATA

RANGE DATA										
Part Number	Drill Hole Diameter	Depth of Drill Hole	Overall Embedment Depth	Anchor Length	Thread Diameter	Internal Threaded Length	Fixture Clearance Hole	Minimum Member Thickness	Setting Punch Code	Tightening Torque
	(dO)	(hI)	(hnom=hef)	(LH)	(dnom)	(Lth)	(df)	(hmin)	-	(Tinst)
	mm	mm	mm	mm	mm	mm	mm	mm	-	Nm

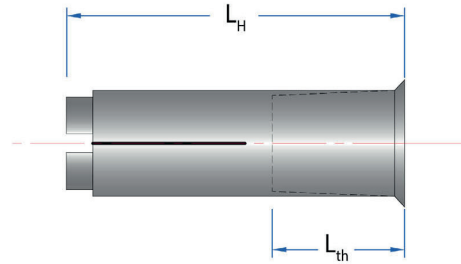
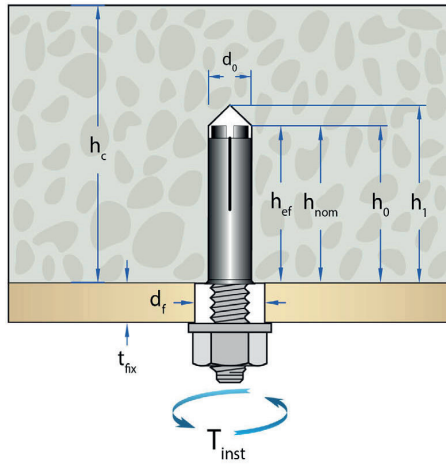
DROP IN ANCHORS										
X-DIA-M8-B100	10	30	30	30	8	13	9	100	DZSP08	9
X-DIA-M10-B50	12	40	40	40	10	15	12	130	DZSP10	17
X-DIA-M12-B50	15	50	50	50	12	18	14	140	DZSP12	30

LIPPED DROP IN ANCHORS										
X-DIA-M8-B100	10	30	30	30	8	14	9	100	DZSP08	9
X-DIA-M10-B50	12	30	30	30	10	15	12	100	DZSP10	17
X-DIA-M12-B50	15	50	50	50	12	20	14	140	DZSP12	30

BOLTS DROP IN ANCHOR BOLT

The DiversiTech International sales team are available to answer your questions or queries on this product. Our experts are waiting for your call +44 (0)115 900 5858 or if you prefer send an email to sales@diversitech.com or visit www.diversitech.global

■ DROP IN ANCHOR BOLTS - ZINC PLATED



■ SINGLE ANCHOR IN SOLID CONCRETE

PERFORMANCE DATA (C20/25 NON-CRACKED CONCRETE)

Size Of Thread	"Effective Embedment Depth (h _{ef})"	Minimum Concrete Thickness (h _{min})	Characteristic Resistance		Design Resistance		Approved Resistance		Design Spacing (S)		Design Edge Distance (C)	
			Tensile (NR _k)	Shear (VR _k)	Tensile (NR _d)	Shear (VR _d)	Tensile (NA _p)	Shear (VA _p)	Tensile	Shear	Tensile	Shear
-	mm	mm	kN	kN	kN	kN	kN	kN	mm	mm	mm	mm

DROP IN ANCHORS

M6	25	100	6.3	4.0	3.5	2.4	2.5	1.7	75	75	90	90
M8	30	100	8.2	5.4	4.5	3.5	3.2	2.5	90	90	95	95
M10	40	130	12.7	9.6	7.0	5.7	5.0	4.1	120	120	135	135
M12	50	140	17.8	16.8	9.9	10.0	7.0	7.1	150	150	165	165
M16	65	160	26.4	31.3	14.6	18.7	10.4	13.3	195	195	200	200
M20	80	200	36.1	49.0	20.0	29.3	14.2	20.9	240	240	260	260

LIPPED DROP IN ANCHORS

M6	25	100	6.3	4.0	3.5	2.4	2.5	1.7	75	75	90	90
M8	30	100	8.2	5.4	4.5	3.5	3.2	2.5	90	90	95	95
M10SH	30	100	8.2	5.4	4.5	3.5	3.2	2.5	90	90	95	95
M10	40	130	12.7	9.6	7.0	5.7	5.0	4.1	120	120	135	135
M12	50	140	17.8	16.8	9.9	10.0	7.0	7.1	150	150	165	165
M16	65	160	26.4	31.3	14.6	18.7	10.4	13.3	195	195	200	200

BOLTS DROP IN ANCHOR BOLT

The DiversiTech International sales team are available to answer your questions or queries on this product. Our experts are waiting for your call +44 (0)115 900 5858 or if you prefer send an email to sales@diversitech.com or visit www.diversitech.global



ANCHORS FOR MULTIPLE USE FOR NON-STRUCTURAL APPLICATIONS IN SOLID CONCRETE ($N_1 \geq 3$; $N_2 \geq 1$)*

PERFORMANCE DATA (C20/25 NON-CRACKED CONCRETE)							
Size Of Thread	"Effective Embedment Depth (hef)"	Minimum Concrete Thickness (hmin)	Characteristic Resistance	Limiting Design Resistance	Approved Resist-ance	Design Spacing (S)	Design Edge Distance (C)
			Load** (FRk)	Load (FRd,lim)	Tensile (FAP)		
-	mm	mm	kN	kN	kN	mm	mm

DROP IN ANCHORS							
M6	25	100	2.5	1.7	1.2	200	150
M8	30	100	3.0	2.0	1.4	200	150
M10	40	130	3.0	2.0	1.4	200	150
M12	50	140	3.0	2.0	1.4	200	150

LIPPED DROP IN ANCHORS							
M6	25	100	2.5	1.7	1.2	200	150
M8	30	100	3.0	2.0	1.4	200	150
M10SH	30	100	3.0	2.0	1.4	200	150
M10	40	130	3.0	2.0	1.4	200	150
M12	50	140	3.0	2.0	1.4	260	200

* ETAG001 - Part6, Annex 1

** Load in any direction

ANCHORS FOR MULTIPLE USE FOR NON-STRUCTURAL APPLICATIONS IN SOLID CONCRETE ($N_1 \geq 4$; $N_2 \geq 1$)*

PERFORMANCE DATA (C20/25 NON-CRACKED CONCRETE)							
Size Of Thread	"Effective Embedment Depth (hef)"	Minimum Concrete Thickness (hmin)	Characteristic Resistance	Limiting Design Resistance	Approved Resistance	Design spacing (S)	Design Edge Distance (C)
			Load** (FRk)	Load (FRd,lim)	Tensile (FAP)		
-	mm	mm	kN	kN	kN	mm	mm

DROP IN ANCHORS							
M6	25	100	2.5	1.7	1.2	200	150
M8	30	100	3.3	2.2	1.5	200	150
M10	40	130	4.5	3.0	2.0	200	150
M12	50	140	4.5	3.0	2.0	200	150

LIPPED DROP IN ANCHORS							
M6	25	100	2.5	1.7	1.2	200	150
M8	30	100	3.3	2.2	1.5	200	150
M10SH	30	100	3.3	2.2	1.5	200	150
M10	40	130	4.5	3.0	2.0	200	150
M12	50	140	4.5	3.0	2.0	260	200

* ETAG001 - Part6, Annex 1

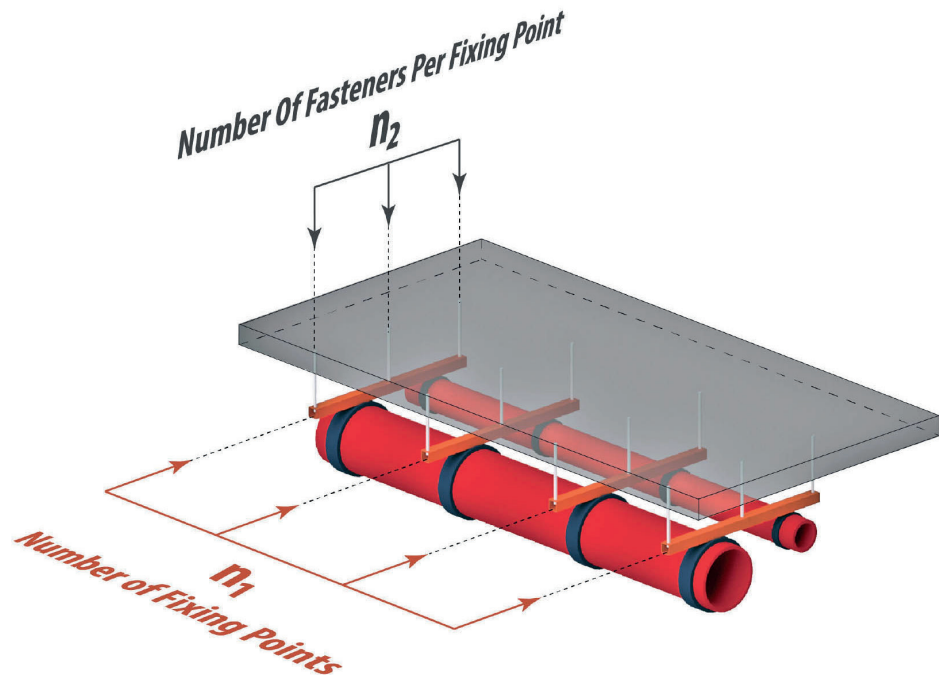
** Load in any direction

BOLTS DROP IN ANCHOR BOLT

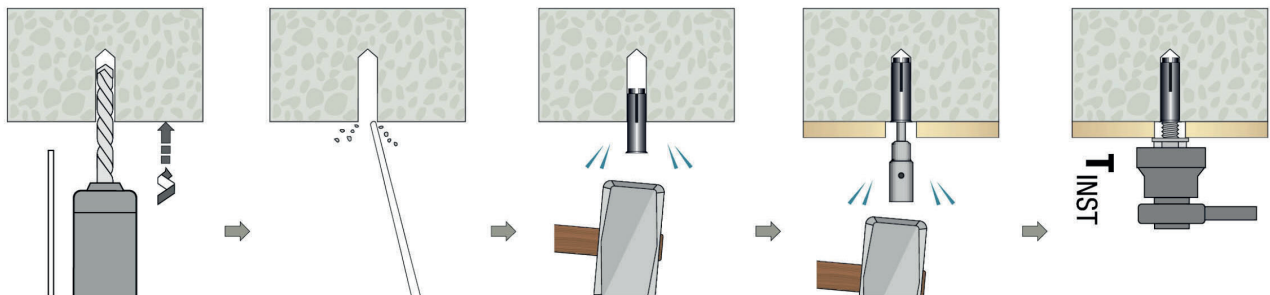
The DiversiTech International sales team are available to answer your questions or queries on this product. Our experts are waiting for your call +44 (0)115 900 5858 or if you prefer send an email to sales@diversitech.com or visit www.diversitech.global

N₁ AND N₂ DEFINITIONS

n_1 : Number of positions where an attached element (e.g. piping, light suspended ceiling or facade) is fixed with one or more fasteners. n_2 : Number of fasteners per fixing point.



INSTALLATION INSTRUCTIONS



DRILL CORRECT DIAMETER HOLE TO CORRESPONDING DEPTH

CLEAN HOLE BY BLOWING TO REMOVE DRILLING DEBRIS AND DUST

INSERT ANCHOR THROUGH CONCRETE USING SUITABLE HAMMER

HAMMER WEDGE HOME USING CORRECT SETTING PUNCH

TIGHTEN WITH TORQUE WRENCH TO RECOMMENDED TORQUE

Part code M8	Part code M10	Part code M12	Description	QTY
X-DIA-M8-B10	X-DIA-M10-B10	X-DIA-M12-B10	Drop In Anchor	Bag of 10
X-DIA-M8-B100	X-DIA-M10-B50	X-DIA-M12-B50	Drop In Anchor	MB Box of 100 - M10/M12 Box of 50
X-DIAL-M8-B100	X-DIAL-M10-B50	X-DIAL-M12-B50	Drop In Anchor Lipped	MB Box of 100 - M10/M12 Box of 50
X-DIA-ST			Drop In Anchor Setting Tool	Singles

BOLTS DROP IN ANCHOR BOLT

The DiversiTech International sales team are available to answer your questions or queries on this product. Our experts are waiting for your call +44 (0)115 900 5858 or if you prefer send an email to sales@diversitech.com or visit www.diversitech.global